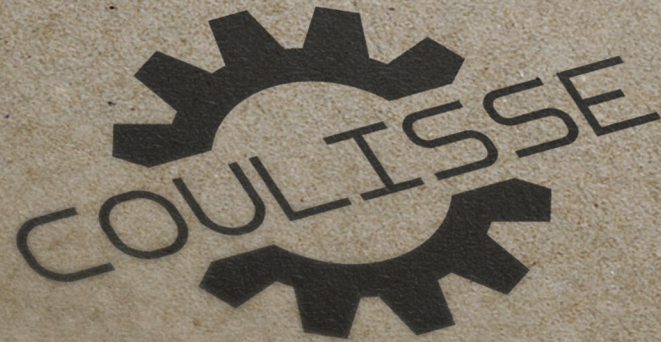




TORANJ COMMUNICATION CONSULTANT

Logo ReDesign, sub-branding and identity design for Coulisse , a Company based in Tabriz.
Project done in collaboration with Coulisse co.

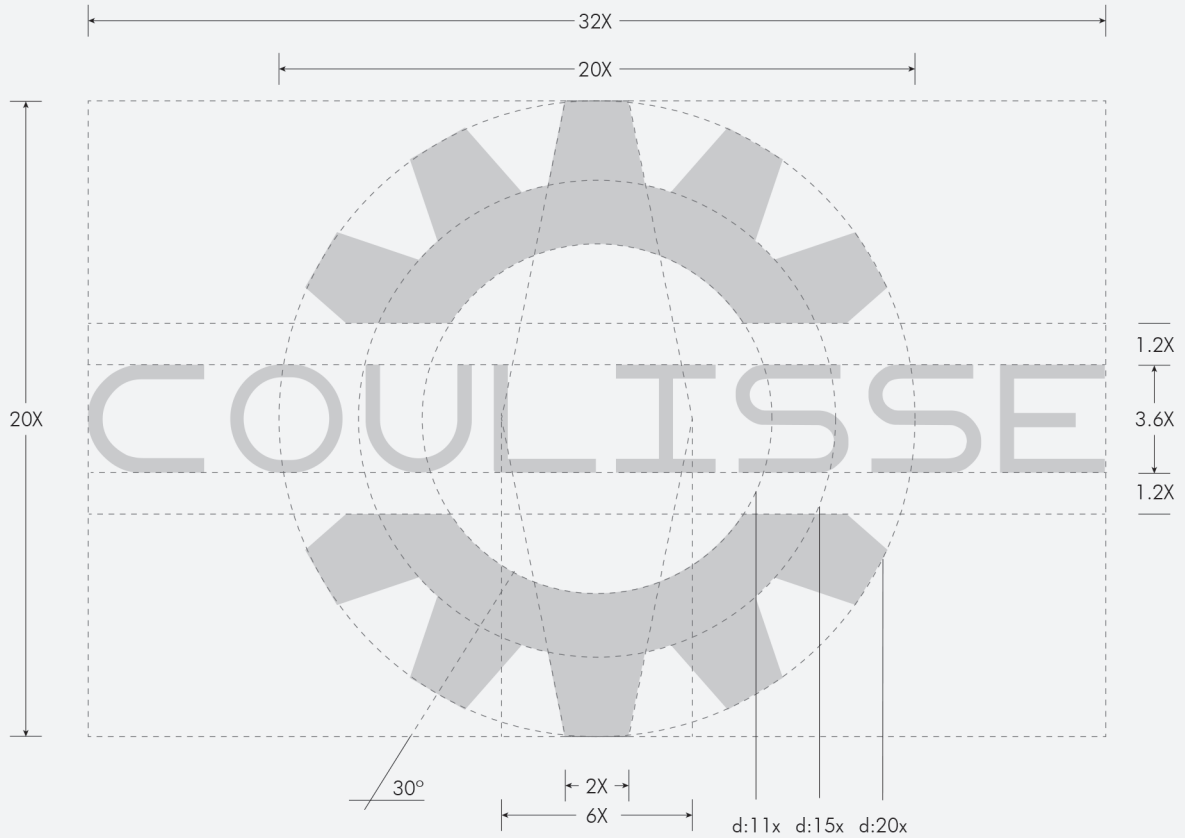


+

Redesign
Process

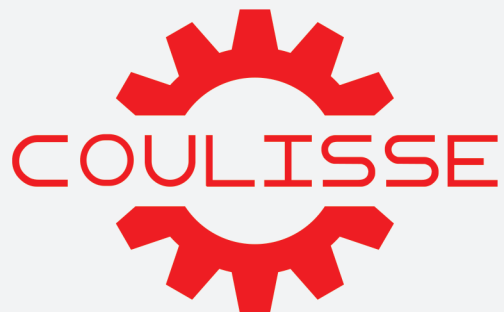
=





LOGO DESIGNED BASED ON GOLDEN RATIO.

Main Format



Homochromatic Format



Solid Format



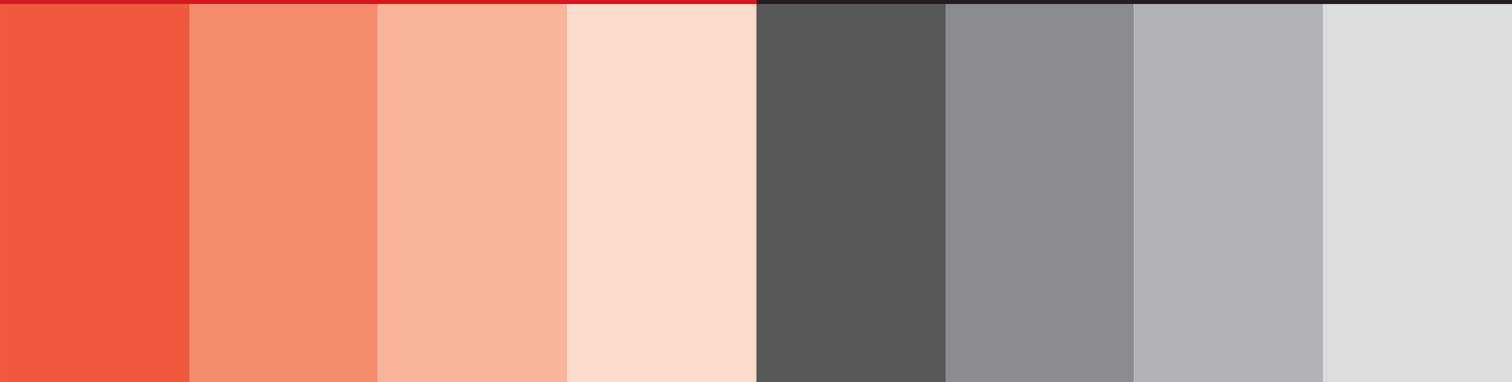
PRIMARY COLOR

PANTONE 485 C

C0 M100 Y100 K0
R255 G0 B0
#ff0000

PANTONE Hexachrome Black C

C0 M0 Y0 K100
R0 G0 B0
#000000



SECONDARY COLORS



C30 M100 Y80 K20
R152 G30 B51
#981e33

C100 M90 Y50 K40
R22 G38 B69
#162645

C80 M60 Y50 K20
R64 G88 B100
#405864

C30 M40 Y100 K0
R188 G150 B51
#bc9633

STATIONARY



Gear & Sprocket Manufacturing Co.





Amin Daryani
Managing Director

Tel. : +98 411 286 8727
Mob. : +98 914 116 2309
email: info@coulisseco.com
web : www.coulisseco.com



Amin Daryani
Managing Director



Gear & Sprocket Manufacturing Co.



Gear & Sprocket Manufacturing Co.

Tel. : +98 411 286 8727
Mob. : +98 914 116 2309
email: info@coulisseco.com
web : www.coulisseco.com



Amin Daryani
Managing Director



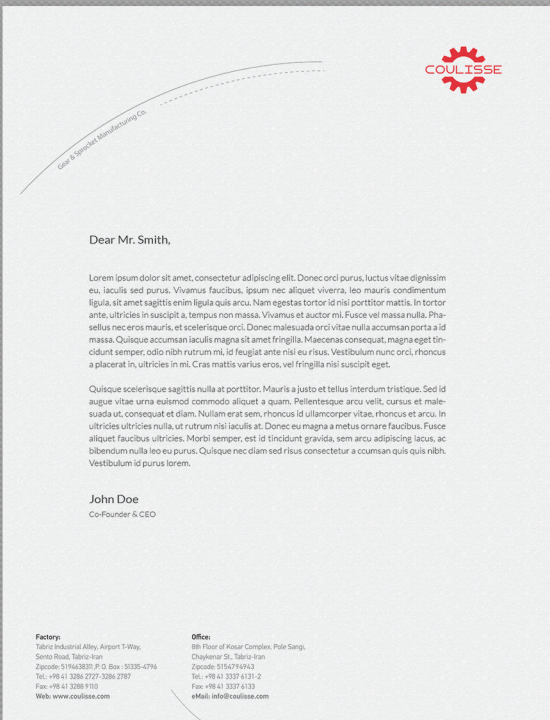
Gear & Sprocket Manufacturing Co.



Amin Daryani
Managing Director



411 286 8727
116 2309
sseco.com
o.com







Gear & Sprocket Manufacturing Co.



Gear & Sprocket Manufacturing Co.



